

AC-BT24™

HIGH RESOLUTION BLUETOOTH® AUDIO STREAMER & DSP PROGRAMMER

Installation:

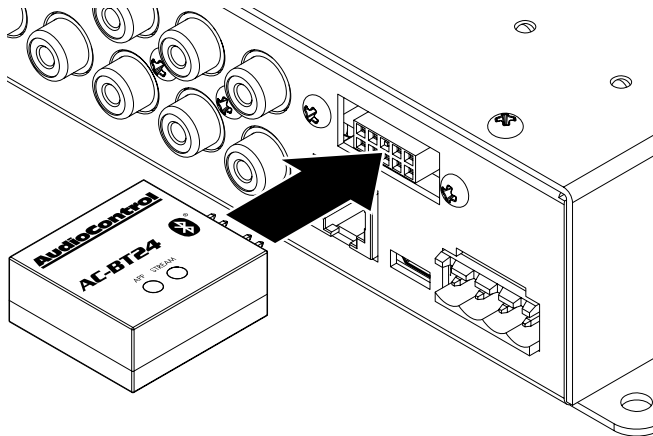
Download the DM Smart DSP™ app from the App Store¹ or get it on Google Play² on a Bluetooth-enabled phone or tablet. Connect the AC-BT24 to the Option Port of a DM processor or amplifier. The Option Port is keyed to ensure correct orientation of the AC-BT24.

DSP Programming:

Turn on the DM processor or amplifier. After a few moments, open the DM Smart DSP app on your Bluetooth-enabled phone or tablet. You will be prompted to connect to the AC-BT24 which can be identified by its serial number in the device list (handy if you are in within range of multiple AC-BT24s). After a few moments, a green LED graphic will illuminate in the upper right-hand corner of the DM Smart DSP app, indicating you are now connected. Once you are connected you may now use the DM Smart DSP app to set up the DM processor or amplifier.

Streaming:

To set up a DM processor or amplifier for audio streaming with the AC-BT24, select the Option Port as your source, which comes in on the last input pair. Pair your Bluetooth-enabled source to the AC-BT24, which can be identified by its serial number in your Bluetooth device list. You will continue to control your music and view song/artist information from your Bluetooth-enabled source.



Features & Specifications:

Bluetooth: Version 4.2

aptX HD Compatible: the AC-BT24 supports 24 bit /48 kHz streaming from devices with the aptX HD codec

UART Interface: bidirectional interface for setup and control over DM processors or amplifiers via the DM Smart DSP app

Output: dual differential class A-B output stage

Signal to Noise Ratio: 96 dB

Maximum Data Rate: 3Mbps (typical 1.6Mbps)

Operating Range: 10+ meters (depending on environment)

Power Requirements: the AC-BT24 operates off of power provided by the Option Port on a DM processor or amplifier.

www.audiocontrol.com

AudioControl®
Making Good Sound Great™

©2018 AudioControl. All rights reserved. ¹ Apple, the Apple logo, iPhone, and iPad are trademarks of Apple Inc., registered in the U.S. and other countries and regions. App Store is a service mark of Apple Inc. ² Google Play and the Google Play logo are trademarks of Google LLC.

Insert P/N 912-057-0 Rev A



8 51523 00733 1